



AW sileo



- Speed controllable by voltage reduction, plus option of 2-step operation by D/Y switching for 400V versions
- With inlet guard from sizes 200-630 (as an accessory 710-1000)
- Safe and maintenance free operation
- Electric connection via terminal box mounted on the motor
- Single phase fans are supplied with capacitor

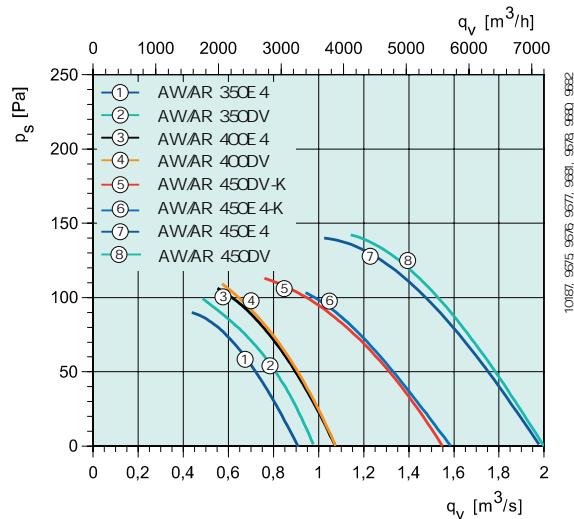
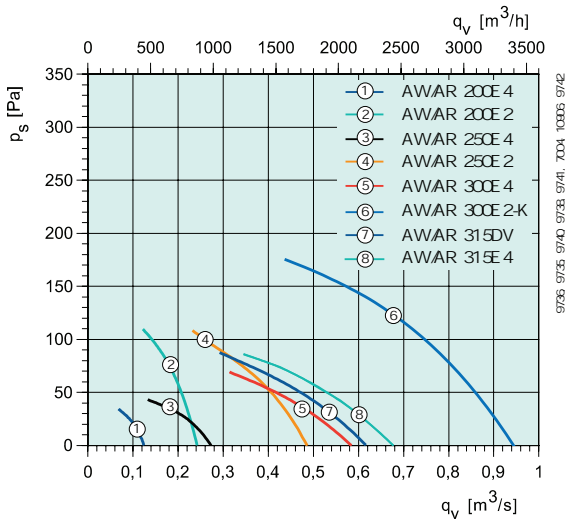
Axial fans of the AW sileo range do have a bionic shape of the fan blade, which reduces the noise level and increases the efficiency of the fan. AW sileo fans are driven by external rotor motors. The AW range is equipped with a square wall plate, galvanized steel and powder coated in black (RAL9005). The protection guard at the inlet side is powder coated in black. The axial impeller is manufactured either from pressure die cast aluminum, powder coated in black, or from high efficiency composite material.

The impeller is balanced dynamically in two levels in accordance with DIN ISO 1940 part 1, quality G6.3.

The motors are equipped with thermal contacts for motor protection, with leads to be connected to a TK triggering device, see table on the next page.

Quick selection

Quick selection also on p. 210



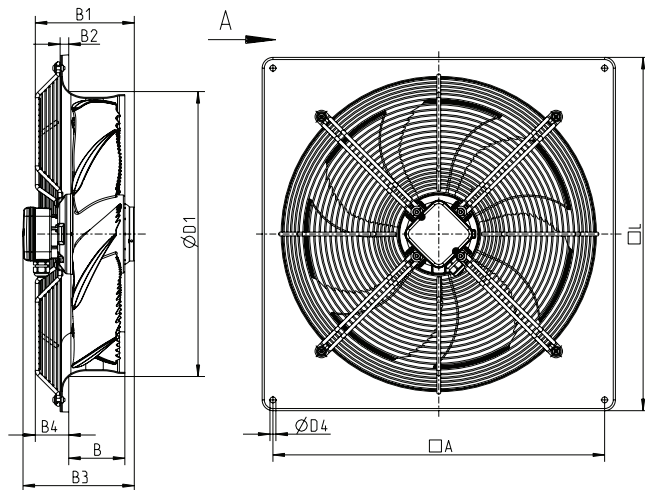
Technical data

AW sileo		200 E4	200 E2	250 E4	250 E2	300 E4	300 E2	315 DV	315 E4	350 E4	350 DV	400 E4	400 DV	450 DV-K	450 E4-K	450 E4
Art. no.		34115	34114	34117	35735	34119	5801	34120	34121	34123	34122	34125	34124	34127	34129	34128
Voltage/Frequency	V/50Hz	230 1~	230 1~	230 1~	230 1~	230 1~	230 1~	400 3~	230 1~	230 1~	400 3~	230 1~	400 3~	400 3~	230 1~	230 1~
Power	W	30	80	50	120	100	309	120	160	170	190	240	230	350	390	550
Current	A	0.15	0.38	0.24	0.54	0.41	1.35	0.39	0.67	0.75	0.4	1.1	0.44	0.64	1.75	2.5
Max. air flow	m³/s	0.124	0.242	0.273	0.482	0.584	0.948	0.616	0.677	0.91	0.976	1.07	1.08	1.55	1.59	1.98
R.p.m.	min-1	1425	2550	1370	2160	1330	2730	1450	1300	1260	1390	1350	1370	1250	1290	1320
Max. temp. of transported air	°C	70	60	55	65	60	50	70	50	60	70	65	70	70	55	70
" when speed controlled	°C	70	60	55	65	60	50	70	50	60	70	65	70	70	55	70
Sound pressure level at 1 m	dB(A)	46	59	52	66	56	71	62	59	62	64	64	64	66	65	66
Weight	kg	3.2	3.2	4	4.2	5	6.6	6.8	6.7	7.5	7.6	8.7	8.7	10.1	10.1	16.2
Insulation class, motor		F	F	F	F	F	B	F	F	F	F	F	F	F	F	F
Enclosure class, motor		IP 44	IP 44	IP 44	IP 55	IP 44	IP 44	IP 54	IP 44	IP 44	IP 54	IP 54	IP 54	IP 44	IP 44	IP 54
Capacitor	µF	1	1.5	1.5	3.5	3	8	-	5	5	-	5	-	-	7	14
Wiring diagram p. 442-461		49	49	49	49	49	5	18b	49	49	18b	6a	18b	18b	6a	6a

Electrical accessories



Dimensions



AW	□A	B	B1	B2	B3	B4	ØD1	ØD4	□L
200	260	46	92	6	142	30	210	7	312
250E2	320	50	102	6	152	30	264	7	370
250E4	320	50	97	6	147	30	264	7	370
300E2	380	65	111	12	171	46	330	9	430
300E4	380	69	103	11	165	28	326	9	430
315DV	380	69	118	11	182	19	330	9	430
315E4	380	63	132	11	173	48	349	9	430
350DV	435	68	119	12	182	22	388	9	485
350E4	435	68	132	12	173	49	390	9	485
400	490	88	146	12	182	54	420	9	540
450DV	535	96	171	14	206	47	480	11	575
450DV-K	535	96	148	14	186	40	480	11	575
450E4	535	96	191	14	226	47	480	11	575
450E4-K	535	96	148	14	186	40	480	11	575
500	615	104	204	16	226	62	531	11	655
560	675	119	215	16	227	96	589	11	725
630	750	130	207	20	225	52	664	11	805
710DV	810	150	272	20	272	37	763	14.5	850
710DS	810	150	246	20	246	37	763	14.5	850
710E6	810	150	246	20	246	37	763	14.5	850
800DS	910	193	284	17	284	34	869	14.5	970
910DS	1010	220	293	20	293	40	922	14.5	1070
1000DS	1110	220	323	20	323	40	1016	14.5	1170
1000DS-L	1110	220	400	20	400	47.5	1067	14.5	1170

Speed control

AW	Motor protection	Transformer	Thyristor
200E2	S-ET	RTRE 1.5/REU 1.5	REE 1
200E4	S-ET	RTRE 1.5/REU 1.5	REE1
250E2	S-ET	RTRE 1.5/REU 1.5	REE 1
250E4	S-ET	RTRE 1.5/REU 1.5	REE 1
300E2	S-ET	RTRE 1.5/REU 1.5	REE 1
300E4	S-ET	RTRE 1.5/REU 1.5	REE 1
315DV	STDT	RTRD 2/RTRDU 2	-
315E4	S-ET	RTRE 1.5/REU 1.5	REE 1
350DV	STDT	RTRD 2/RTRDU 2	-
350E4	S-ET	RTRE 1.5/REU 1.5	REE 1
400DV	STDT	RTRD 2/RTRDU 2	-
400E4	S-ET	RTRE 1.5/REU 1.5	REE 2
450DV-K	STDT	RTRD 2/RTRDU 2	-
450E4	S-ET	RTRE 3/REU 3	REE 4
450E4-K	S-ET	RTRE 3/REU 3	REE 2
500DV	STDT	RTRD 2/RTRDU 2	-
500E4	S-ET	RTRE 5/REU 5	REE 4
560DV	STDT	RTRD 4/RTRDU 4	-
560E4	S-ET	RTRE 7/REU 7	-
630D4-2	STDT	RTRD 4, RTRDU 4	-
630DS	STDT	RTRD 2, RTRDU 2	-
630E6	S-ET	RTRE 5/REU 5	REE 4
710DV	STDT	RTRD 7/RTRDU 7	-
710DS	STDT	RTRD 4/RTRDU 4	-
710E6	S-ET	RTRE 5/REU 5	REE 4
800DS	STDT	RTRD 4/RTRDU 4	-
910DS	STDT	RTRD 7/RTRDU 7	-
1000DS	STDT	RTRD 7/RTRDU 7	-
1000DS-L	STDT	RTRD 14	-

Ventilation accessories



VK p. 389



SG AW p. 431



SG-AW-D p. 431

Axial Fans

AW sileo		450 DV	500 E4	500 DV	560 DV	560 E4	630 E6	630 DS	630 DV	710 E6	710 DS	710 DV	800 DS	910 DS	1000 DS	1000 DS-L*
Art. no.		34126	34132	34131	34134	34135	34139	34138	34137	34142	34141	34140	34143	34157	34144	36148
Voltage/Frequency	V/50Hz	4003~	230 1~	4003~	4003~	230 1~	230 1~	4003~	4003~	230 1~	4003~	4003~	4003~	4003~	4003~	4003~
Power	W	540	750	770	1044	1150	730	630	2400	950	1000	2600	1600	1950	2700	5597
Current	A	1.1	3.35	1.7	2.2	5	3.4	1.25	4.6	4.4	2.5	4.9	3.6	4.4	5.3	10.6
Max. air flow	m³/s	2.0	2.48	2.54	3.15	3.03	3.1	3.12	5.23	3.86	4.05	6.27	6.33	7.66	10.1	13.5
R.p.m.	min-1	1350	1230	1300	1280	1330	910	900	1318	850	910	1330	920	880	820	889
Max. temp. of transp. air	°C	70	70	70	70	70	70	70	65	65	70	60	70	70	70	60
" when speed controlled	°C	70	70	70	70	70	70	70	65	65	70	60	70	70	70	60
Sound pressure level at 1 m	dB(A)	67	68	67	74	76	67	64	76	67	66	76	73	72	72	87
Weight	kg	14.6	20	20.1	23.5	31.7	26.5	24.5	34.2	35.1	35.1	36.5	53	58.1	69.5	109
Insulation class, motor		F	F	F	F	F	F	F	F	F	F	F	F	F	F	F
Enclosure class, motor		IP 54	IP 54	IP 54	IP 54	IP 54	IP 54	IP 54	IP 54	IP 54	IP 54	IP 54	IP 54	IP 54	IP 54	IP 54
Capacitor	µF	-	16	-	-	25	16	-	-	16	-	-	-	-	-	-
Wiring diagram p. 442-461		18b	6a	18b	18b	6a	6a	18b	18b	6a	18b	18b	18b	18b	18b	18b

* Only for use outside the EEA (European Economic Area), see Ecodesign regulation 327/2011