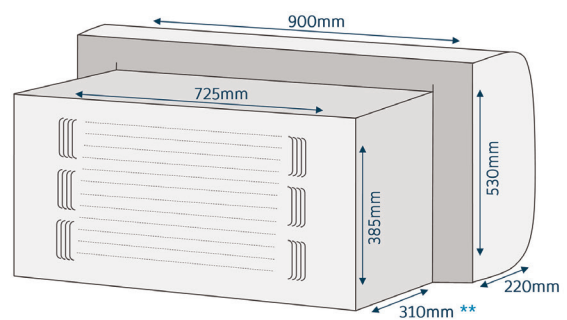




YORK® Console Inverter

YPKE09 to 15C HEAT PUMP

A complete range from 9000 btu/h to 15000 btu/h

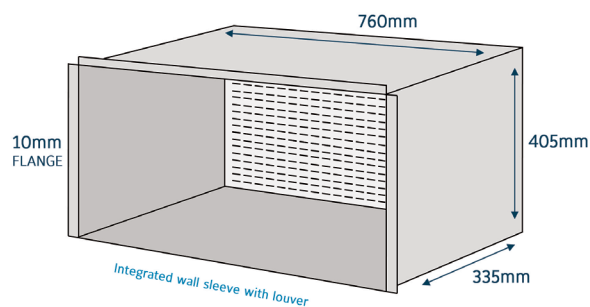


Dimensions

** On the 15000btu units this dimension is 460mm

Features

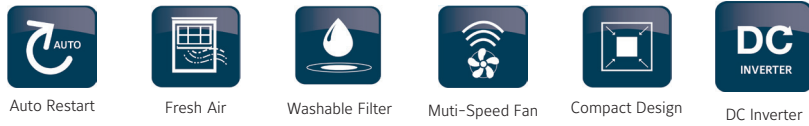
- Electronic touchpad control
- 3 operation modes (Cool/Heat/Fan)
- 2 speeds fan control
- Auto-restart
- Convenient filter cleaning
- Modern, stylish design
- Slinger ring condensate water removal (in cooling mode)



YORK® CONSOLE INVERTER

YPKE 09 to 15C

A complete range from 9000 btu/h to 15000 btu/h



Technical features

Model name		Set	YPKE09C	YPKE13C	YPKE15C
Power supply		V/Ph/Hz	220-240/1/50	220-240/1/50	220-240/1/50
Normal Cooling	Capacity	W	2,640	3,810	4,340
	Input	W	875	1,265	1,440
	Rated current	A	3.9	5.9	6.3
	EER	W/W	3.01	3.01	3.01
	Capacity	W	2,640	3,500	3,700
	Input	W	770	1,020	1,085
	Rated current	A	3.9	5.0	5.3
	COP	W/W	3.43	3.43	3.41
Electrical heating	Capacity	Btu/h	10,236	10,236	10,236
	Capacity	W	3,000	3,000	3,000
	Input	W	3,050	3,050	3,050
	Rated current	A	13.9	13.9	13.9
Moisture Removal		l/h	0.67	1.23	1.60
Max. input consumption		W	1,420	1,650	1,860
Max. current		A	6.2	7.7	8.7
Starting current		A	19.5	20	20
Indoor fan motor	Input	W	79	79	79
	Running current	A	0.67	0.67	0.67
	Capacitor	µF	-(DC Inverter)		
	Speed (Hi/Mid/Lo) for cooling	rpm	1,200/1,100/920	1,350/1,230/1100	1,450/1,230/1,100
	Speed (Hi/Mid/Lo) for heating	rpm	1,200/1,100/920	1,250/1,150/990	1,200/1,150/990
Indoor air flow (Hi/Me/Lo) for cooling		m³/h	700/600/540	780/670/600	850/670/600
Indoor air flow (Hi/Me/Lo) for heating		m³/h	620/580/500	720/650/560	720/650/560
Indoor noise level (Hi/Me/Lo)		dB(A)	52.6/51.2/50.8	54.3/53.8/53.3	54.3/53.8/53.3
Indoor dimension	Unit (WxHxD)	mm	900x530x220	900x530x220	900x530x220
	Type		Rotary	Rotary	Rotary
Compressor	Input	W	832	1,245	1,245
	Rated current(RLA)	A	3.6	5.4	5.4
	Locked rotor Amp(LRA)	A	19.5	25	25
	Thermal protector		Internal	Internal	Internal
	Refrigerant oil	ml	280±5	400±5	400±5
Outdoor fan motor	Input	W	97	97	97
	Output	W	55	55	55
	Running current	A	0.4	0.4	0.4
	Capacitor	µF	3	3	3
	Speed	rpm	1,350	1,350	1,350
Outdoor air flow		m³/h	1,050	1,050	1,050
Outdoor noise level		dB(A)	72	72	72
Outdoor dimension	Unit (WxHxD)	mm	725x385x310	725x385x310	725x385x460
Unit dimension	Packing (WxHxD)	mm	995x625x556	995x625x556	975x755x567
Unit weight	Net	kg	56	58	66
	Gross	kg	60.5	64.5	76.5
Refrigerant	Type		R-410A		
	Charge	g	780	940	1,250
Operation temperature range		°C	16-32	16-32	16-32
Ambient temperature range		°C	-7-43	-7-43	-7-43
Qty'per 20' & 40'&40HQ		Set	84/172/172	84/172/172	72/144/144

Nominal cooling capacity based on : - Indoor Air Temp. 27°C DB / 19°C WB - Outdoor Air Temp. 35°C DB