

AW 355, 420 EX

- Certified according to ATEX
- Speed-controllable
- Integral thermal contact

The AW EX fans have speed controllable external rotor motors. The fans have a square plate for wall mounting and are painted in standard black. The casing and impeller is manufactured from sheet steel.

To protect the motor from overheating, integral thermistors are fitted with external leads which must be connected to the U-EK230E motor protection relay.

The AW 355/420D4-2-EX fan motor is approved according to ATEX. Useful for Zone 1 and 2; temperature class T1, T2, T3 or T4. Ignition protection "e".

Accessories for Ex-fans only on request.

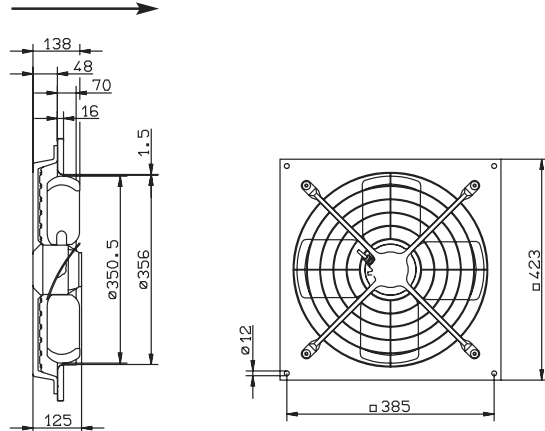


		AW 355D4-2-EX	AW 420D4-2-EX
Voltage/Frequency	V/50 Hz	400	400
Phase	~	3	3
Power	W	140	360
Current	A	0,28	0,61
Maximum air flow	m ³ /s (m ³ /h)	0,72 (2600)	1,28 (4600)
R.p.m	min ⁻¹	1380	1320
Max temp. of transported air	°C	40	40
“ when speed-controlled	°C	40	40
Sound pressure level at 3 m *	dB(A)	61	63
Weight	kg	9	10
Insulation class, motor		F	F
Enclosure class, motor		IP 54	IP 44
Motor protection		U-EK230E	U-EK230E
Speed control, five-step	Transformer	RTRD 2 + U-EK230E	RTRD 2 + U-EK230E
Speed control, five-step high/low	Transformer	RTRDU 2 + U-EK230E	RTRDU 2 + U-EK230E
Certificate		ZELM 05 ATEX0279X	ZELM 05 ATEX0279X
Wiring diagram p. 11-17		19	19

* According to 20 m² Sabine

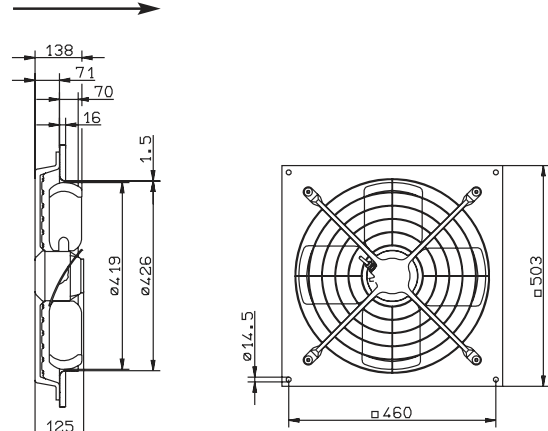
AW 355D-2-EX

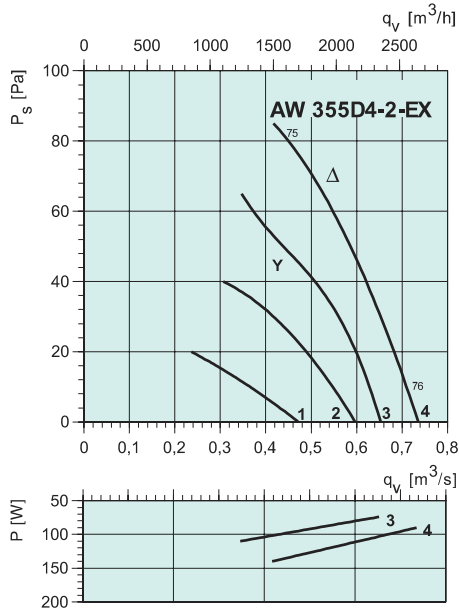
Airflow →



AW 420D4-2-EX

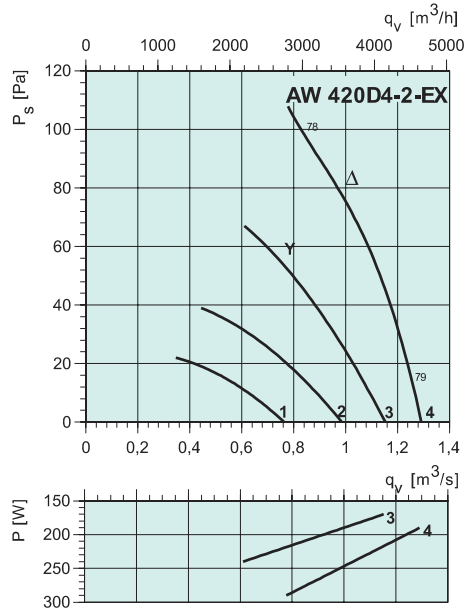
Airflow →





AW 355D4-2-EX

		Mid-frequency band, Hz									
		Hz	Tot	63	125	250	500	1k	2k	4k	8k
L_{wA}	Inlet/Outlet	dB(A)	68	38	43	61	62	64	61	53	46
Measuring point: $q_v = 0,58$ m ³ /s, $P_s = 56$ Pa											



AW 420D4-2-EX

		Mid-frequency band, Hz									
		Hz	Tot	63	125	250	500	1k	2k	4k	8k
L_{wA}	Inlet/Outlet	dB(A)	70	37	44	58	62	67	61	53	47
Measuring point: $q_v = 1,15$ m ³ /s, $P_s = 44$ Pa											



AW 550, 650 EX

- Certified according to ATEX
- Speed-controllable
- Integral thermal contacts

The AW EX fans have a speed controllable external rotor motor. The fans have a square plate for wall mounting and are painted in standard black. The casing and impeller is manufactured from sheet steel.

To protect the motor from overheating, integral thermistors are fitted with external leads which must be connected to the U-EK230E motor protection relay.

The AW 550/650D6-Ex fan motor is approved according to ATEX. Useful for Zone 1 and 2; temperature class T1, T2 or T3. Ignition protection "e".

Accessories for Ex-fans only on request.

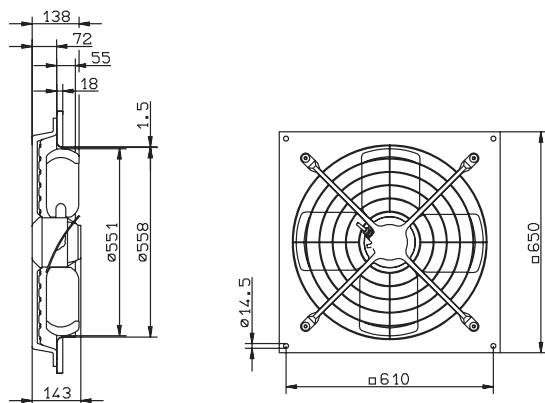


		AW 550D6-2-EX	AW 650D6-2-EX
Voltage/Frequency	V/50 Hz	400	400
Phase	~	3	3
Power	W	370	600
Current	A	0,78	1,20
Maximum air flow	m ³ /s (m ³ /h)	2,06 (7400)	3,19 (11500)
R.p.m	min ⁻¹	860	920
Max temp. of transported air	°C	40	40
Max temp. of transported air when speed-controlled	°C	40	40
Sound pressure level at 3 m *	dB(A)	60	71
Weight	kg	13	20
Insulation class, motor		F	F
Enclosure class, motor		IP 44	IP 44
Motor protection		U-EK230E	U-EK230E
Speed control, five-step	Transformer	RTRD 2 + U-EK230E	RTRD 2 + U-EK230E
Speed control, five-step high/low	Transformer	RTRDU 2 + TUS 230E	RTRDU 2 + U-EK230E
Certificate		ZELM 05 ATEX0279X	ZELM 05 ATEX0279X
Wiring diagram p. 11-17		19	19

* According to 20 m² Sabine

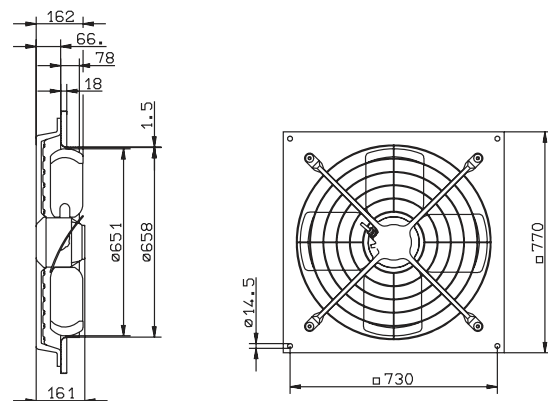
AW 550D6-2-EX

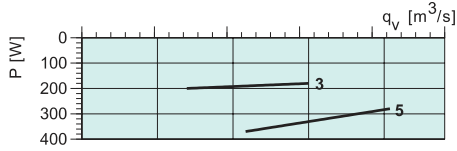
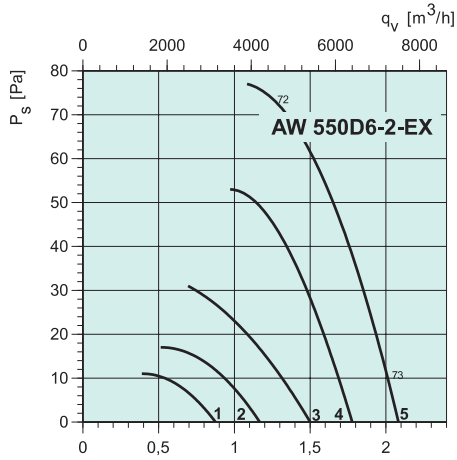
Airflow →



AW 650D6-2-EX

Airflow →

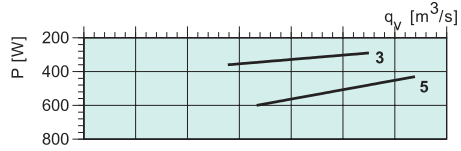
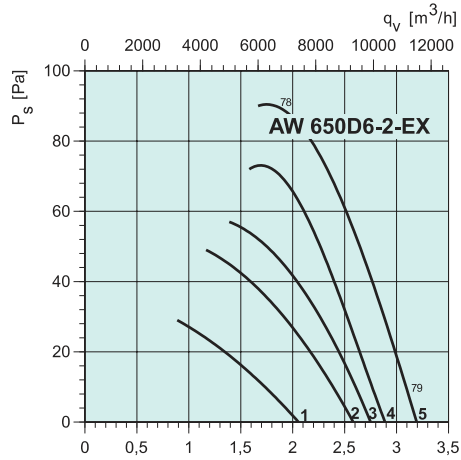




AW 550D6-2-EX

		Mid-frequency band, Hz									
		Hz	Tot	63	125	250	500	1k	2k	4k	8k
L_{wA}	Inlet/Outlet	dB(A)	67	51	56	57	60	63	60	54	44

Measuring point: $q_v = 1,75 m^3/s$, $P_s = 47 Pa$



AW 650D6-2-EX

		Mid-frequency band, Hz									
		Hz	Tot	63	125	250	500	1k	2k	4k	8k
L_{wA}	Inlet/Outlet	dB(A)	78	60	63	70	72	72	70	66	55

Measuring point: $q_v = 2,50 m^3/s$, $P_s = 57 Pa$

