



Electrically heated 300–600 W

4 models

Thermocassette

Discreet radiant heat cassette for recessed or surface mounting

Application

Thermocassette is intended for discreet heating in offices, bathrooms, schools etc. Designed for either surface or recessed mounting it is well suited for total heating as well as for spot heating of for example a reception desk. Mounted in a false ceiling it is well protected against damage and can easily be moved if necessary (model with cable and plug).

Comfort

Radiant heaters give a soft, pleasant heat and individual comfort can be created with spot and zone heating. They also provide excellent protection against cold draught from windows. No moving parts mean a silent system that does not cause air movements and the hygiene is improved when the spread of dust, bacteria or odours is reduced.

Operation and economy

Radiant heaters have an easy and flexible installation and require a minimum of maintenance. Ceiling mounting leaves the walls free and increases safety. They give instant heat and the room temperature can be reduced with maintained comfort.

Design

Recessed mounting make the heater an integral part of the ceiling.

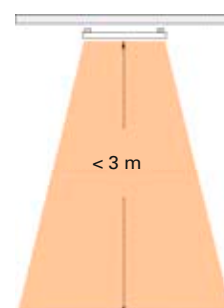
Product specifications

- The low surface temperature (max. 100 °C) make Thermocassette well suited for low ceiling heights. There is no risk of burns to the person(s) in this vicinity.
- Corrosion proof casing of hot zinc-plated and powder lacquered steel panels. Colour: RAL 9016.

Thermocassette is available in two versions:

- HP300/600, for false ceiling systems. IP20.
- HP305/605, standard model with brackets, approved for rooms where there is risk of fire and recommended for use in agricultural buildings. IP55.

Installation height



Design and specifications are subject to change without notice.

Thermocassette



An attractive and almost invisible heating is created when Thermocassette is mounted in a false ceiling. The heating cassettes can easily be moved if the furnishing is rearranged.



Mounting on the ceiling protects Thermocassette against damage.



Comfortable heat where you need it. Thermocassette can easily be moved if necessary.



Thermocassette creates a pleasant heat on the floor in premises where you might want to be barefooted.

Thermocassette

Technical specifications | Thermocassette HP. False ceiling model. Without brackets. ⚡

Type	Heat output [W]	Voltage [V]	Amperage [A]	Max. surface temperature [°C]	Dimensions LxWxH [mm]	Weight [kg]
HP300	300	230V~	1,3	100	593x593x30	5,4
HP600	600	230V~	2,6	100	593x1193x30	10,3

Technical specifications | Thermocassette HP. Special model. With brackets. ⚡

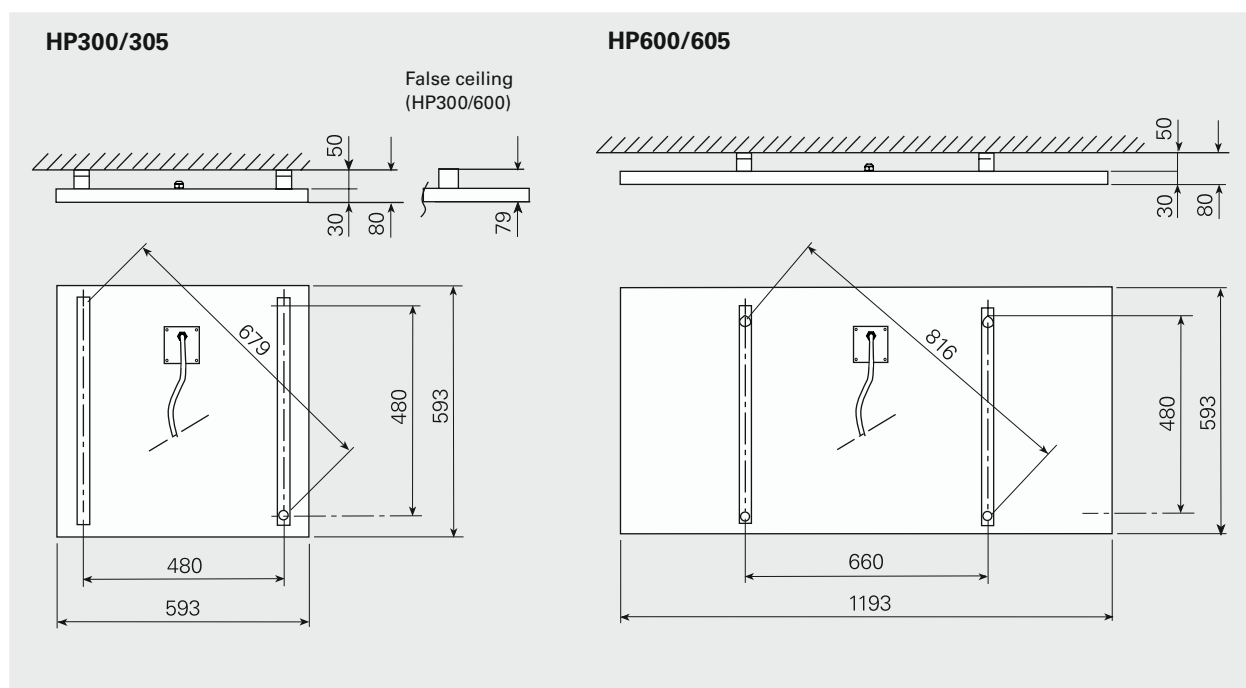
Type	Heat output [W]	Voltage [V]	Amperage [A]	Max. surface temperature [°C]	Dimensions LxWxH [mm]	Weight [kg]
HP305	300	230V~	1,3	100	593x593x80*	5,8
HP605	600	230V~	2,6	100	593x1193x80*	10,7

*) Height with brackets

Protection class HP300/600: (IP20), normal design. CE compliant

Protection class HP305/605: (IP55), jet-proof design. CE compliant. Approved for use in rooms where there is risk of fire and recommended for use in agricultural buildings.

Dimensions



Positioning, mounting and installation

Positioning

To estimate approximately how many radiant heaters are needed to cover an area the formula is:

$$\text{Min. number of heaters} = \frac{\text{Area of the premises [m}^2\text{]}}{\text{Installation height [m]} \times \text{Installation height [m]}}$$

This formula is a basic estimation of the minimum number of radiant heaters needed to maintain the comfort. To calculate the right output for each heater, the total heating requirement must be calculated, see the Technical handbook.

Mounting

HP300/600 is designed to be mounted in false ceilings. HP305/605 can be mounted in false ceilings, but are primarily intended for mounting on the ceiling or hung from wire. Wire mounting set, 74701, is extra. For minimum mounting distance, see Fig. 2.

Connection

HP300/600 is equipped with a 4 metres cable and plug, as well as special plugs that make joint connection very easy. HP305/605 is equipped with a 1,8 meter cable, plug excluded.

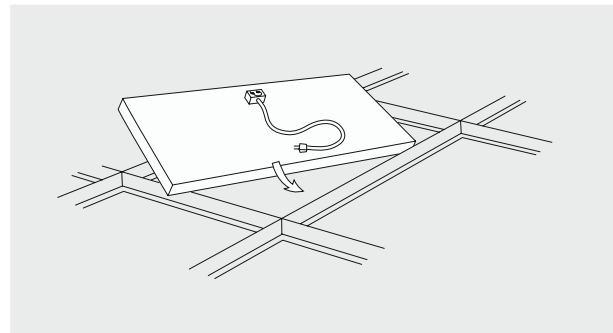


Fig. 1: Mounting in false ceilings.

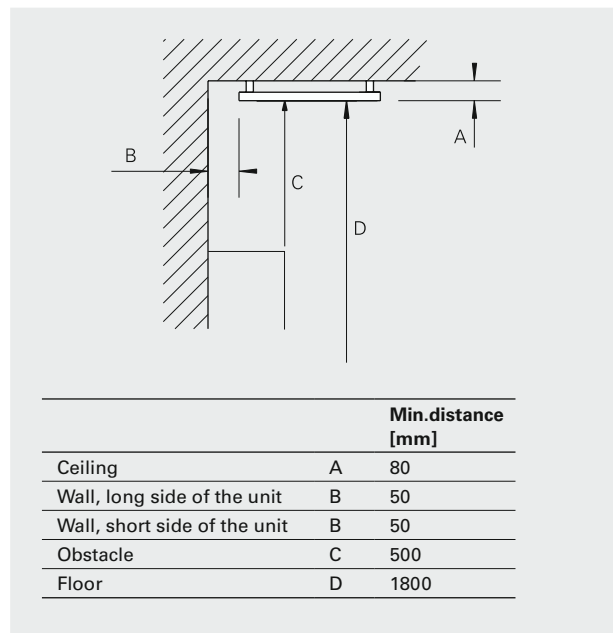


Fig. 2: Minimum mounting distance.

Control options

Output control

Stepless control that precisely adapts energy use to the current demand making it possible to benefit the most from radiant heating. This results in a soft comfortable heating and lower energy costs.

- ERP, electric heating control
- ERPS, electric heating control (slave)

Control by thermostat

The choice of thermostat depends on needs and environment. If the load exceeds the limits of the thermostats or if you want to control large systems, a contactor can be used.

- T10, electronic thermostat with concealed knob
- TKS16, electronic thermostat with visible knob, 1-pole switch
- TD10, thermostat with digital display
- KRT1900, capillary room thermostat, IP55

For further options, see section on thermostats and controls or contact Frico.

Accessories

SKB10, shelter bars

Extra fixture bars for shelters.

74701, wire mounting kit

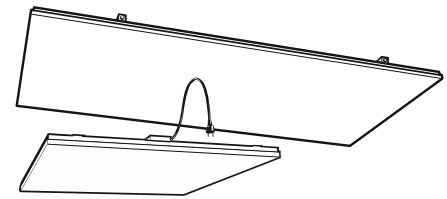
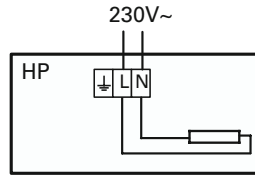
Complete mounting kit for mounting on wire, gives a drop of approx. 0.5 metres.

Controls and other accessories

Type	Description	HxWxD [mm]
ERP	Electric heating control	153x94x43
ERPS	Electric heating control (slave)	153x94x43
T10	Electronic thermostat	80x80x31
TKS16	Electronic thermostat, knob, 1-pole switch	80x80x39
TD10	Electronic thermostat, display	80x80x31
KRT1900	Capillary-room thermostat, IP55	165x57x60
SKB10	Shelter bars	
74701	Wire mounting kit	

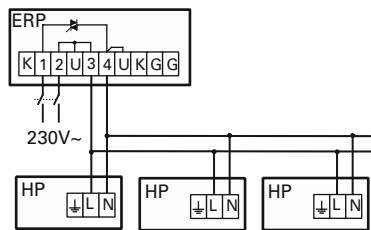
Wiring diagrams Thermocassette

Internal wiring diagram



Thermocassette HP

Output control



Control by thermostat

