

QLZ06/1800-2513

# AC tangential blower

forward curved



## ebm-papst Landshut GmbH

Hofmark-Aich-Straße 25

D-84030 Landshut

Phone +49 871 707-0

Fax +49 871 707-465

info3@de.ebmpapst.com

www.ebmpapst.com

## Nominal data

Type	QLZ06/1800-2513	
Phase		1~
Nominal voltage	VAC	230
Frequency	Hz	50
Speed	min <sup>-1</sup>	1200
Power input	W	20
Current draw	A	0.16
Min. ambient temperature	°C	0
Max. ambient temperature	°C	60
Air flow	m <sup>3</sup> /h	90
Pressure increase	Pa	40

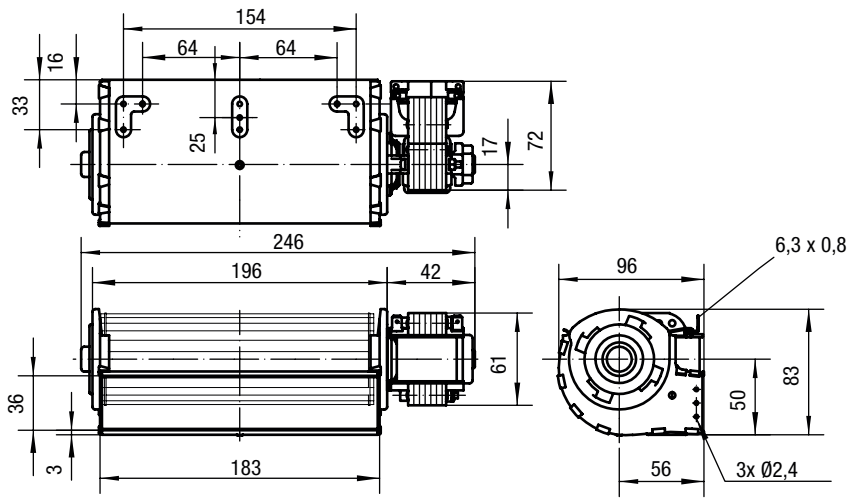
ml = max. load · me = max. efficiency · fa = running at free air · cs = customer specs · cu = customer unit  
Subject to alterations



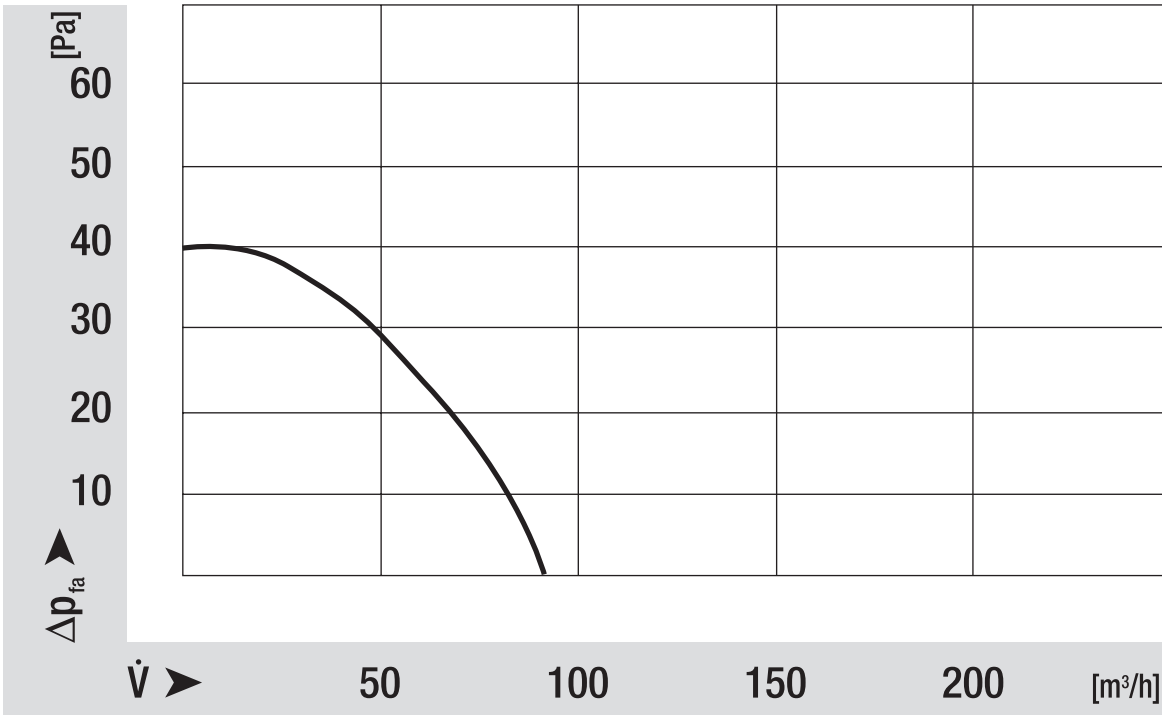
**Technical features**

<b>Mass</b>	0.80 kg
<b>Dimensions</b>	60 mm
<b>Insulation class</b>	B B and F also available on request
<b>Mounting position</b>	Horizontal or vertical with motor at bottom
<b>Connection line</b>	Flat plug 6.3 x 0.8

## Product drawing



## Charts: Air flow



## Charts: Speed

